

# Q.PEAK DUO-G5 315-330

## Q.ANTUM SOLAR MODULE

The new **Q.PEAK DUO-G5** solar module from Q CELLS impresses thanks to innovative **Q.ANTUM DUO** Technology, which enables particularly high performance on a small surface. **Q.ANTUM**'s world-record-holding cell concept has now been combined with state-of-the-art circuitry half cells and a six-busbar design, thus achieving outstanding performance under real conditions — both with low-intensity solar radiation as well as on hot, clear summer days.



### Q.ANTUM TECHNOLOGY: LOW LEVELISED COST OF ELECTRICITY

Higher yield per surface area, lower BOS costs, higher power classes, and an efficiency rate of up to 19.9%.



### INNOVATIVE ALL-WEATHER TECHNOLOGY

Optimal yields, whatever the weather with excellent low-light and temperature behaviour.



### ENDURING HIGH PERFORMANCE

Long-term yield security with Anti LID Technology, Anti PID Technology<sup>1</sup>, Hot-Spot Protect and Traceable Quality Tra.Q™.



### EXTREME WEATHER RATING

High-tech aluminium alloy frame, certified for high snow (5400 Pa) and wind loads (4000 Pa).



### A RELIABLE INVESTMENT

Inclusive 12-year product warranty and 25-year linear performance warranty<sup>2</sup>.



### STATE OF THE ART MODULE TECHNOLOGY

**Q.ANTUM DUO** combines cutting edge cell separation and innovative wiring with **Q.ANTUM** Technology.



www.VDEinfo.com  
ID: 40032587



<sup>1</sup> APT test conditions according to IEC/TS 62804-1:2015, method B (-1500V, 168h)

<sup>2</sup> See data sheet on rear for further information.

### THE IDEAL SOLUTION FOR:



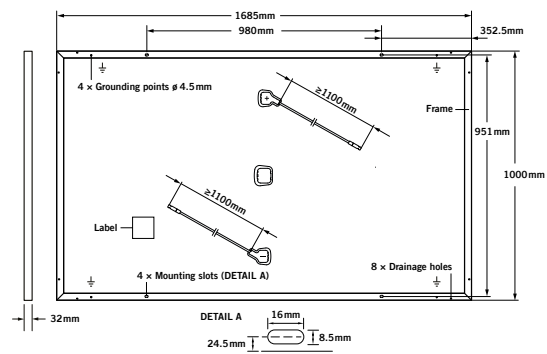
Rooftop arrays on residential buildings



Rooftop arrays on commercial/industrial buildings

## MECHANICAL SPECIFICATION

<b>Format</b>	1685mm × 1000mm × 32mm (including frame)
<b>Weight</b>	18.7 kg
<b>Front Cover</b>	3.2mm thermally pre-stressed glass with anti-reflection technology
<b>Back Cover</b>	Composite film
<b>Frame</b>	Black anodised aluminium
<b>Cell</b>	6 × 20 monocrystalline Q.ANTUM solar half cells
<b>Junction box</b>	70-85 mm × 50-70 mm × 13-21 mm Protection class IP67, with bypass diodes
<b>Cable</b>	4 mm <sup>2</sup> Solar cable; (+) 1100 mm, (-) 1100 mm
<b>Connector</b>	Multi-Contact MC4, IP68

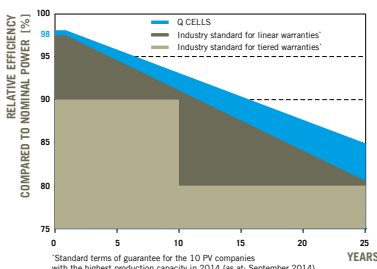


## ELECTRICAL CHARACTERISTICS

POWER CLASS			315	320	325	330
<b>MINIMUM PERFORMANCE AT STANDARD TEST CONDITIONS, STC<sup>1</sup> (POWER TOLERANCE +5W / -0W)</b>						
<b>Minimum</b>	<b>Power at MPP<sup>1</sup></b>	<b>P<sub>MPP</sub></b> [W]	315	320	325	330
	<b>Short Circuit Current<sup>1</sup></b>	<b>I<sub>SC</sub></b> [A]	10.04	10.09	10.14	10.20
	<b>Open Circuit Voltage<sup>1</sup></b>	<b>V<sub>OC</sub></b> [V]	39.87	40.13	40.40	40.66
	<b>Current at MPP</b>	<b>I<sub>MPP</sub></b> [A]	9.55	9.60	9.66	9.71
	<b>Voltage at MPP</b>	<b>V<sub>MPP</sub></b> [V]	32.98	33.32	33.65	33.98
	<b>Efficiency<sup>1</sup></b>	<b>η</b> [%]	≥ 18.7	≥ 19.0	≥ 19.3	≥ 19.6
<b>MINIMUM PERFORMANCE AT NORMAL OPERATING CONDITIONS, NMOT<sup>2</sup></b>						
<b>Minimum</b>	<b>Power at MPP</b>	<b>P<sub>MPP</sub></b> [W]	235.3	239.0	242.8	246.5
	<b>Short Circuit Current</b>	<b>I<sub>SC</sub></b> [A]	8.09	8.13	8.17	8.22
	<b>Open Circuit Voltage</b>	<b>V<sub>OC</sub></b> [V]	37.52	37.77	38.02	38.27
	<b>Current at MPP</b>	<b>I<sub>MPP</sub></b> [A]	7.52	7.56	7.60	7.64
	<b>Voltage at MPP</b>	<b>V<sub>MPP</sub></b> [V]	31.30	31.62	31.94	32.25

<sup>1</sup>Measurement tolerances P<sub>MPP</sub> ±3%; I<sub>SC</sub>, V<sub>OC</sub> ±5% at STC: 1000W/m<sup>2</sup>, 25±2°C, AM 1.5G according to IEC 60904-3 - <sup>2</sup>800 W/m<sup>2</sup>, NMOT, spectrum AM 1.5G

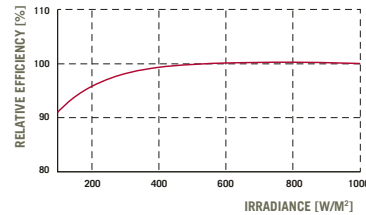
## Q CELLS PERFORMANCE WARRANTY



At least 98% of nominal power during first year. Thereafter max. 0.54% degradation per year. At least 93.1% of nominal power up to 10 years. At least 85% of nominal power up to 25 years.

All data within measurement tolerances. Full warranties in accordance with the warranty terms of the Q CELLS sales organisation of your respective country.

## PERFORMANCE AT LOW IRRADIANCE



Typical module performance under low irradiance conditions in comparison to STC conditions (25°C, 1000W/m<sup>2</sup>).

## TEMPERATURE COEFFICIENTS

<b>Temperature Coefficient of I<sub>SC</sub></b>	<b>α</b> [%/K]	+0.04	<b>Temperature Coefficient of V<sub>OC</sub></b>	<b>β</b> [%/K]	-0.28
<b>Temperature Coefficient of P<sub>MPP</sub></b>	<b>γ</b> [%/K]	-0.37	<b>Normal Module Operating Temperature</b>	<b>NMOT</b> [°C]	43±3

## PROPERTIES FOR SYSTEM DESIGN

<b>Maximum System Voltage**</b>	<b>V<sub>sys</sub></b> [V]	1000	<b>Safety Class</b>	II
<b>Maximum Reverse Current</b>	<b>I<sub>r</sub></b> [A]	20	<b>Fire Rating</b>	C
<b>Max. Design Load, Push / Pull</b>	[Pa]	3600/2667	<b>Permitted Module Temperature on Continuous Duty</b>	-40°C up to +85°C
<b>Max. Test Load, Push / Pull</b>	[Pa]	5400/4000		

## QUALIFICATIONS AND CERTIFICATES

VDE Quality Tested, IEC 61215:2016; IEC 61730:2016, Application class A  
This data sheet complies with DIN EN 50380.



## PARTNER

**NOTE:** Installation instructions must be followed. See the installation and operating manual or contact our technical service department for further information on approved installation and use of this product.

Hanwha Q CELLS GmbH  
Sonnenallee 17-21, 06766 Bitterfeld-Wolfen, Germany | TEL +49 (0)3494 66 99-23444 | FAX +49 (0)3494 66 99-23000 | EMAIL sales@q-cells.com | WEB www.q-cells.com

Engineered in Germany

**Q CELLS**